

LED Lamp

10W PAR30P (E27)



P30P(E27) is an exceptionally high performance LED lamp built to last. It is a premium quality solid state lighting product precisely engineered and manufactured with state of the art technologies and materials.

Proprietary driving circuit enables P30 to replace PHILIPS's traditional incandescent/halogen lamp, up to 75 Watt, directly without additional modification or transformer.

- Solid State Lighting Technology
- Decrease Energy Consumption
- Reduce CO₂ Emission
- Superior Quality Light
- Ecologically Friendly
- Built to Last

Table of Contents

- Dimensions..... 2
- Absolute Maximum Rating..... 2
- Specifications..... 2
- Illuminance and Field Angles..... 3
- Light Patterns..... 4
- Lifetime..... 4
- Application Notes..... 4
- Package Information..... 5

Dimensions

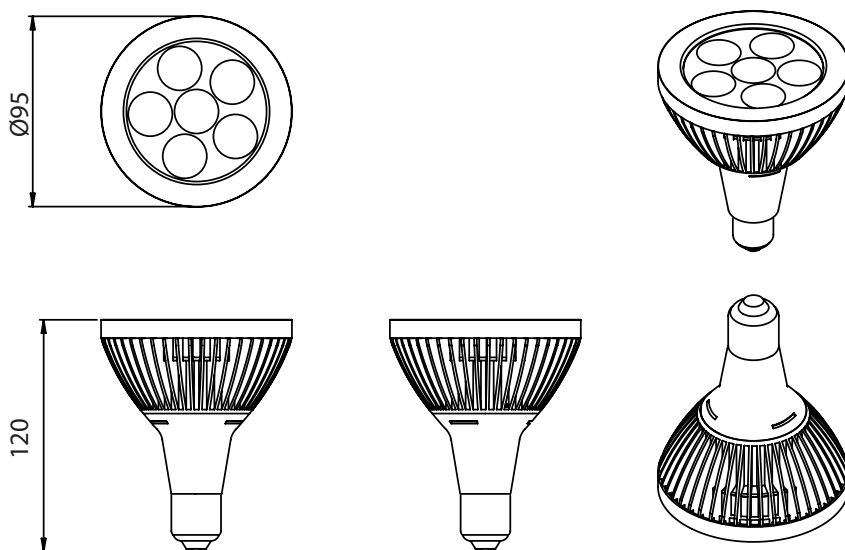


Figure 1: P30P(E27) dimensions

Unit: mm
Tolerance: ±2.5 mm

Absolute Maximum Rating

Parameter	Rating	Units
LED Junction Temperature	125	°C
Aluminum Heat sink Temperature	70	°C
Operating Temperature	-30 ~ +40	°C
Storage Temperature	-40 ~ +60	°C
AC Input Voltage	100 ~ 240	V
Equilibrium Temperature	55	°C

Table 1: P30P(E27) LED Lamp absolute maximum rating.

Specifications

Parameter	Rating	Units
Power Consumption	10	Wattage
Filed Angle	25 / 40 / 60 / 140	Degree
Color Temperature	Cool White / Neutral White / Warm White	K
CRI	70 / 80	--
Weight	230	g
Base	E27	--

Table 2: P30(E27) LED Lamp specifications.

Illuminance and Field Angles

• Cool White / Neutral White / Warm White

Power Consumption(W)	Part Number	Field Angle	Lux@1m (Min.)	Lux*@ 1m (Typ.)	Flux(Typ.)	CCT(Typ.)
10W	LB-P30P-102100	25°	3500	3800	--	5650~7000K
	LB-P30P-102200		2500	2800	--	3800~4500K
	LB-P30P-102300		2200	2500	--	2670~3050K
	LB-P30P-104100	40°	1800	2000	--	5650~7000K
	LB-P30P-104200		1700	1900	--	3800~4500K
	LB-P30P-104300		1300	1500	--	2670~3050K
	LB-P30P-106100	60°	350	500	--	5650~7000K
	LB-P30P-106200		300	450	--	3800~4500K
	LB-P30P-106300		250	400	--	2670~3050K
	LB-P30P-100100	140°	300	--	350 lm	5650~7000K
	LB-P30P-100200		280	--	330 lm	3800~4500K
	LB-P30P-100300		260	--	310 lm	2670~3050K

Table 3: P30P(E27) LED Lamp illuminance and field angles

Notes:

1. Lux value is measured under thermal balanced condition. (i.e. after 1 hour continuous operation)
2. LED is a dynamic and constantly evolving technology. The final lux output of your P30P(E27) LED Lamp may vary.
3. Input voltage = AC 100~240V

Light Patterns

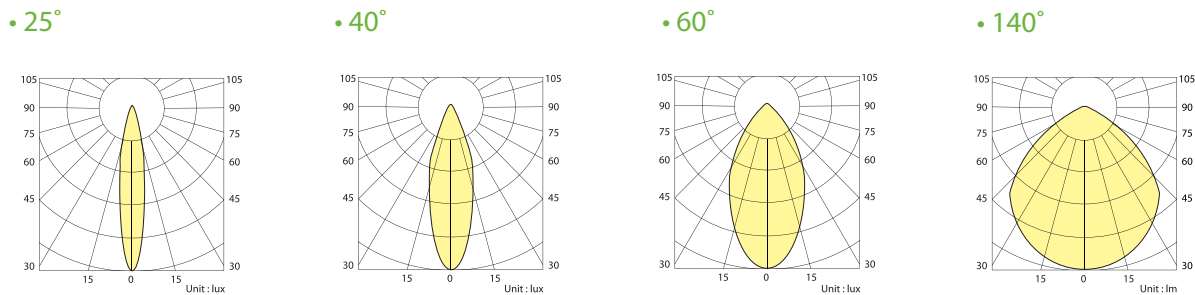


Figure 3: P30P(E27) LED Lamp light patterns for different angles

Lifetime

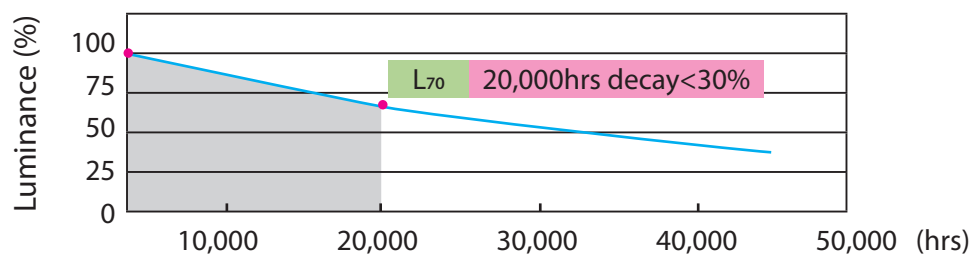


Table 4: P30P(E27) LED Lamp Lifetime

Application Notes

The compact and integral design of the P30P(E27) LED Lamp make it ideal for a wide variety of lighting applications, including retail store spotlight, ceiling downlight, as well as many other accent lightings.

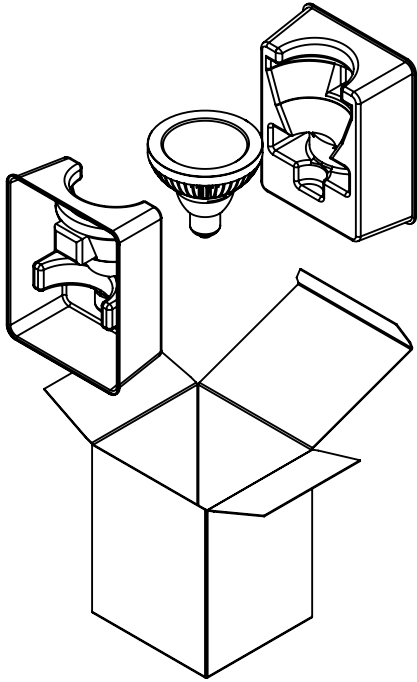


Various color temperature and beam pattern options are suitable for an array of scenarios. P30P(E27) provides white color for customers' usages.

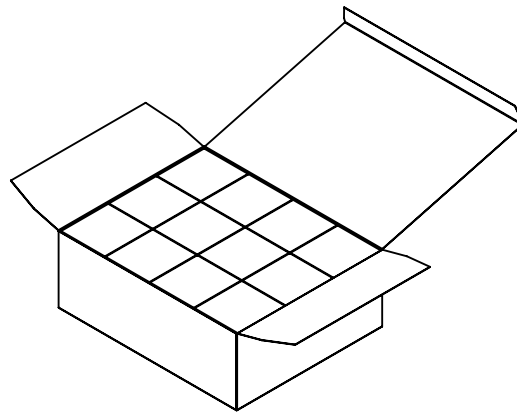
Note : As part of its policy of continuous research and development, Ledion Lighting reserves the right to change or withdraw specifications without prior notice.

Package Information(Standard)

Note : Interior Box Dimensions : 135m(length)*125mm(width)*170mm(height)
Exterior Box Dimensions : 520mm(length)*425mm(width)*195mm(height)



Interior Box (per each P30P(E27) LED Lamp)



Exterior Box (16 Pcs. of P30P(E27) LED Lamp)

Figure 4: P30P(E27) LED Lamp Package