

# LED Lamp

## 3W MR16



3W MR16 uses high brightness LED engine which gives a superb illuminance. It is ideal for the use in tracks, rails, and pendants in exhibit, architectural and residential applications. Furthermore, the multi-selection on various colors offers a great experience in decorative and mood lighting applications.

The lamp features standard MR16 bi-pin, which offers an instant replacement in MR16 type fixtures. With a life of more than 25,000 hours, it can be used in hard-to-reach locations to prevent a regular maintenance needs.

- Solid State Lighting Technology
- Reduce CO<sub>2</sub> Emission
- Superior Quality Light
- Energy Saving(3W)
- Ecologically Friendly

## Table of Contents

- Dimensions..... 2
- Absolute Maximum Rating..... 2
- Specifications..... 3
- Illuminance..... 3
- Light Patterns..... 3
- Application Notes..... 4
- Package Information..... 4

## Dimensions

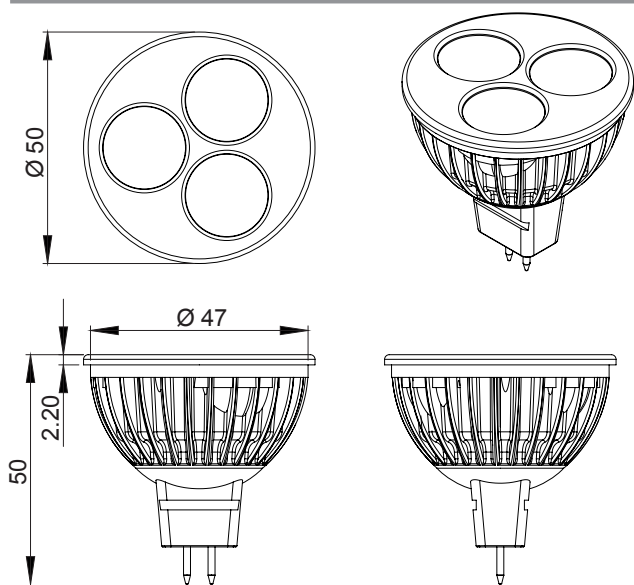


Figure 1: 3W MR16 dimensions.

Unit: mm  
Tolerance: ±2.5 mm

## Absolute Maximum Rating

The following table shows electrical characteristics and operating temperature of 3W MR16

Parameter	Symbol	Rating	Units
LED Junction Temperature	$T_j$	125	°C
Plastic Housing Temperature	$T_c$	65	°C
Operating Temperature	$T_{opr}$	-30 ~ +40	°C
Storage Temperature	$T_{stg}$	-40 ~ +60	°C
AC Input Voltage	V	110~240	V
Equilibrium Temperature	$T_{eq}$	55	°C

Table 1: 3W MR16 absolute maximum rating.

## Specifications

The following describes the choices of color temperature, angles, and CRI of 3W MR16 for different demand.

Parameter	Rating	Units
Power Consumption	3	W
Filed Angle	38	Degree
Color Temperature	Cool White / Neutral White / Warm White	K
CRI	70 / 75 / 80	/
Weight	40±5	g

Table 2: 3W GU10 specifications.

## Illuminance

The tables present the illuminance level with respect to different color temperature.

Power Consumption	Part Number	CCT(Typ.)	Color Temperature	Field Angle	Lux@ 1m (Min.)	Lux@ 1m (Typ.)
3W	LB-MR16-03310A	5650~7000K	Cool White	38°	390 lux	500 lux
	LB-MR16-03320A	3800~4500K	Neutral White		350 lux	400 lux
	LB-MR16-03330A	2670~3050K	Warm White		350 lux	400 lux

Table 3: 3W GU10 Illuminance for different colors.

## Light Patterns

The diagrams present the light patterns with respect to different color temperature and field angle.

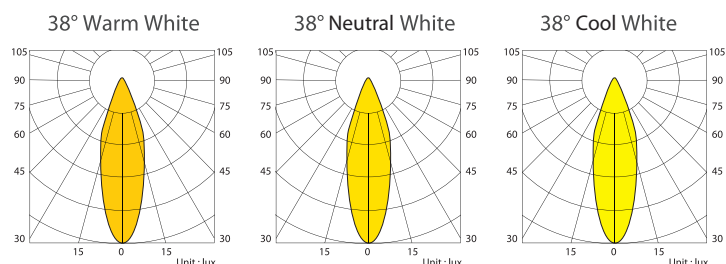


Figure 2: 3W MR16 light patterns.

## Application Notes

Ledion 3W MR16 is compatible for traditional MR16 and more effective. Meanwhile it can be easily installed in lighting fixture.

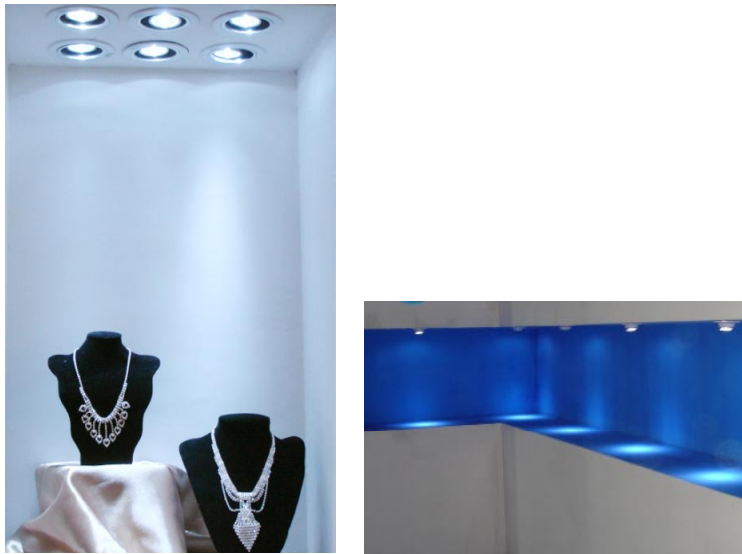
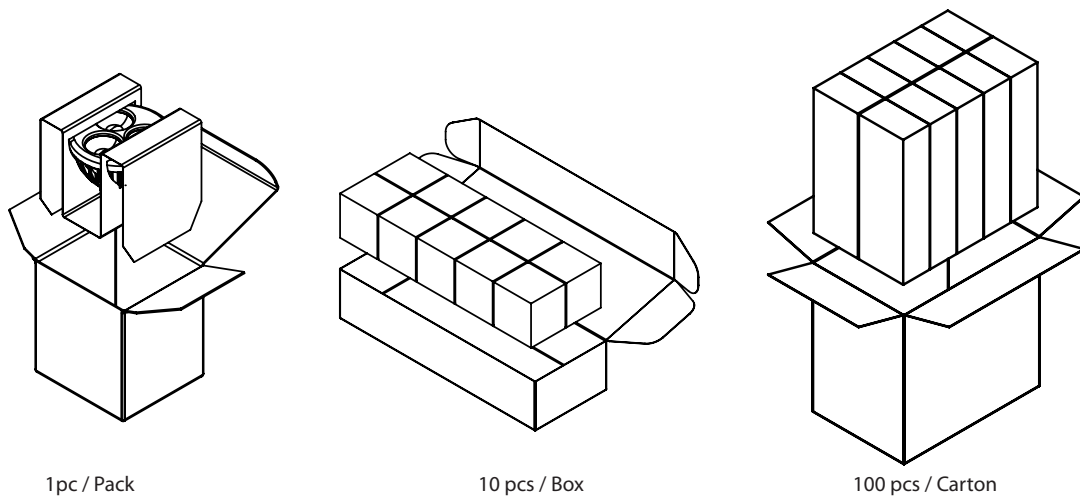


Figure 3: 3W MR16 application picture.

## Package Information



Notes:

Pack Dimensions : 60m(length)\*55mm(width)\*65mm(height)

Box Dimensions : 330mm(length)\*120mm(width)\*70mm(height)

Carton Dimensions : 368mm(length)\*248mm(width)\*350mm(height)

Figure 4: 3W MR16 Package.

## Transformer

The following table describes recommend transformer for 3W MR16.






Input Voltage	Output Voltage	Modelv	Picture	Quantity of MR16 connected
AC 120V	AC 12V	Anchorn AET-D0601		Max to 5pcs
AC 120V	AC 12V	LightTech LET-75		Max to 10pcs
AC 120V	AC 12V	Eaglerise SET60UL		Max to 3pcs
AC 230-240V	AC 12V	Anchorn AET-4201RJ1		Max to 10pcs
AC 230-240V	AC 12V	Eaglerise EFT60LV		Max to 3pcs

Table 4: 3W MR16 recommend transformer.