



TD26

Recessed Downlight

Utilizing the most advanced power LEDs from worldwide renowned companies, Ledion Lighting TD26 downlight integrates electrical, optical, and thermal management aspects of LEDs, while at the same time remain slim and compact in size.

TD26 is built specifically to model under limited space where traditional lighting fixtures are too large to fit in.

- Solid State Lighting Technology
- Decrease Energy Consumption
- Reduce CO₂ Emission
- Superior Quality Light
- Ecologically Friendly
- Slim and Compact

Table of Contents

- Dimensions..... 2
- Specifications..... 2
- Illuminance and Field Angles..... 3
- Light Patterns..... 3
- Lifetime..... 4
- Application Notes..... 4
- Package Information..... 5

Dimensions

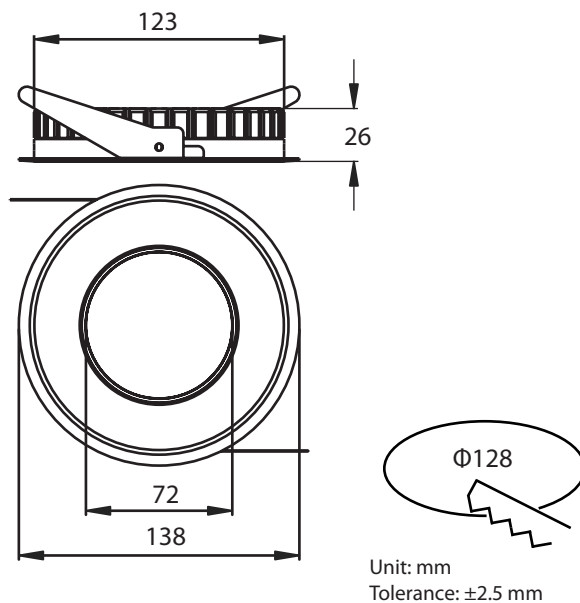


Figure 1: TD26 Recessed Downlight dimensions

Specifications

Parameter	Rating	Units
LED Junction Temperature	125	°C
Aluminum Heat sink Temperature	60	°C
Operating Temperature	-30 ~ +40	°C
Storage Temperature	-40 ~ +60	°C
Connect Driver	500mA / 24V	--
Equilibrium Temperature	60	°C

Table 1: TD26 Recessed Downlight absolute maximum rating.

Specifications

Parameter	Rating	Units
Power Consumption	10	Wattage
Filed Angle	25 / 40 / 60 / 140	Degree
Color Temperature	Cool White / Neutral White / Warm White	K
CRI	70	--
Weight	370 ± 5	g
ETL Control Number	3175225	--

Table 2: TD26 Recessed Downlight specifications.

Illuminance and Field Angles

• Cool White / Neutral White / Warm White

Power Consumption(W)	Part Number	Field Angle	Lux*@1m(MIn.) Flux (Min.)	Lux*@ 1m (Typ.) Flux (Typ.)	CCT(Typ.)
10W	LR-TD26-102100	25°	3600	3900	5650~7000K
	LR-TD26-102200		2600	2900	3800~4500K
	LR-TD26-102300		2300	2600	2670~3050K
	LR-TD26-104100	40°	1900	2100	5650~7000K
	LR-TD26-104200		1800	2000	3800~4500K
	LR-TD26-104300		1400	1600	2670~3050K
	LR-TD26-106100	60°	400	550	5650~7000k
	LR-TD26-106200		350	500	3800~4500K
	LR-TD26-106300		300	450	2670~3050K
	LR-TD26-100100	140°	310 lm	360 lm	5650~7000K
	LR-TD26-100200		290 lm	340 lm	3800~4500K
	LR-TD26-100300		270 lm	320 lm	2670~3050K

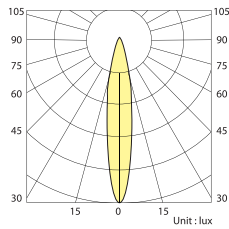
Table 2: TD26 Recessed Downlight illuminance and field angles

Notes:

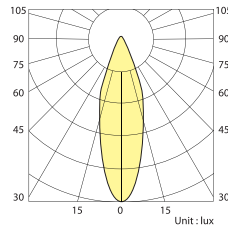
1. Lux value is measured under thermal balanced condition. (i.e. after 1 hour continuous operation)
2. LED is a dynamic and constantly evolving technology. The final lux output of your TD26 Recessed Downlight may vary.
3. Input voltage = AC 100~240V

Light Patterns

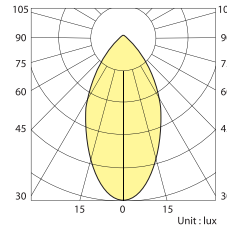
• 25°



• 40°



• 60°



• 140°

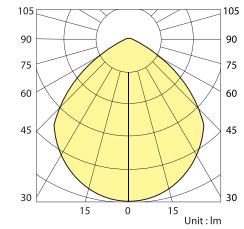


Figure 2: TD26 Recessed Downlight light patterns for different angles

Assembly Instructions and Recommended Driver Specification

Input Voltage	Output Voltage	Operating Current (Constant)	Rated Power
AC 100~240V	DC 18~24V	500mA	>12W

Table 3: Specification of recommended driver

• Assembly instructions

1. Connect the 10W TD26 to the DC driver shown as step 1.
2. Plug the driver to AC outlet shown as step 1.

Caution:
Never plug the driver to AC outlet before the 10W TD26 is properly connected as this damage the LEDs permanently

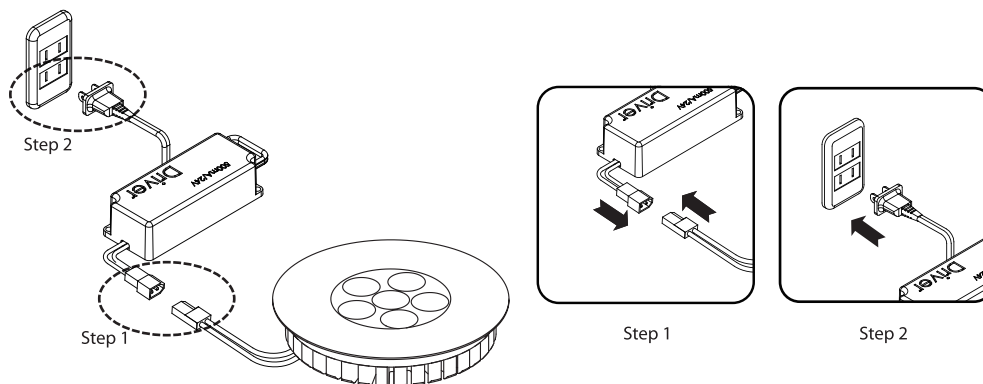


Figure 3: Assembly Instructions For TD26 Recessed Downlight with Driver.

Lifetime

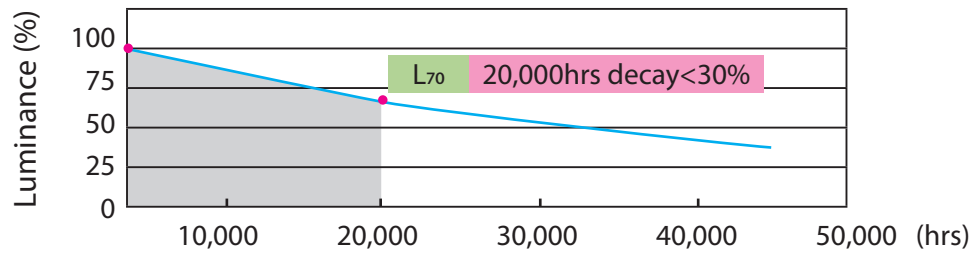


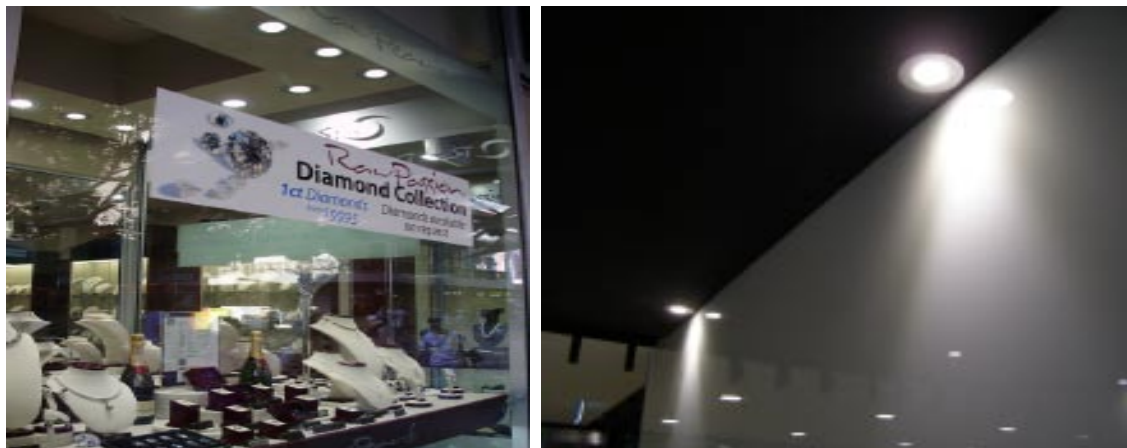
Table 4: TD26 Recessed Downlight Lifetime

Application Notes

The compact and integral design of the TD26 Recessed Downlight make it ideal for a wide variety of lighting applications, including retail store spotlight, ceiling downlight, as well as many other accent lightings.



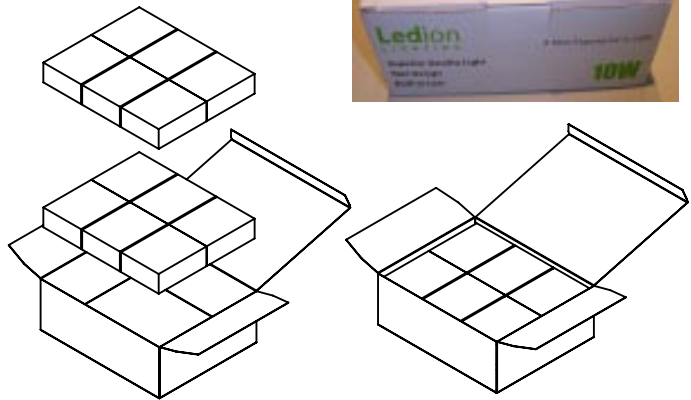
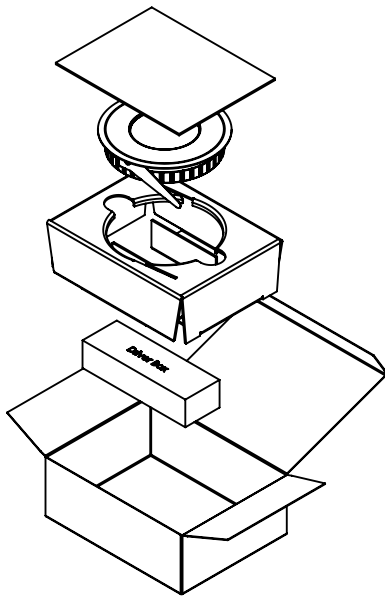
Various color temperature and beam pattern options are suitable for an array of scenarios. TD26 Recessed Downlight also provides two colors of appearance, silver and white for different needs.



Note : As part of its policy of continuous research and development, Ledion Lighting reserves the right to change or withdraw specifications without prior notice.

Package Information(Standard)

Note : Interior Box Dimensions : 200m(length)*160mm(width)*800mm(height)
 Exterior Box Dimensions : 520mm(length)*425mm(width)*195mm(height)



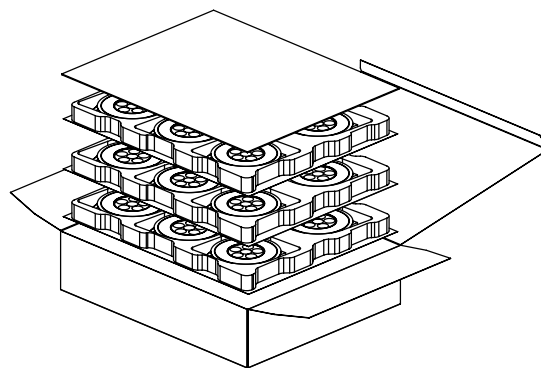
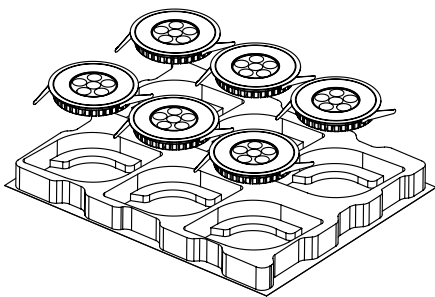
Interior Box (per each TD26 Recessed Downlight)

Exterior Box (12 Pcs. of TD26 Recessed Downlight)

Figure 4: TD26 Recessed Downlight Standard Package

Package Information(Bulk)

Note : Interior Tray Dimensions : 515m(length)*415mm(width)*50mm(height)
 Exterior Box Dimensions : 520mm(length)*425mm(width)*195mm(height)



Interior Tray (6 Pcs. of TD26 Recessed Downlight)

Exterior Box (18 Pcs. of TD26 Recessed Downlight)

Figure 5: TD26 Recessed Downlight Bulk Package