

LED Lamp



7W PAR20 (E27)

P20(E27) with an industry standard E26/E27 base, it can be a great substitution for traditional bulb and save about 80% energy per year. Long duration and stable lighting can easily fit your requirements. It is an ideal solution for hard to reach light fixtures.

- Solid State Lighting Technology
- Tiny high power LED insides.
- Reduce CO₂ Emission
- No Mercury
- Ecologically Friendly

Table of Contents

- Dimensions..... 2
- Absolute Maximum Rating..... 2
- Specifications..... 2
- Illuminance and Field Angles..... 3
- Light Patterns..... 4
- Lifetime..... 4
- Application Notes..... 4
- Package Information..... 5

Dimensions

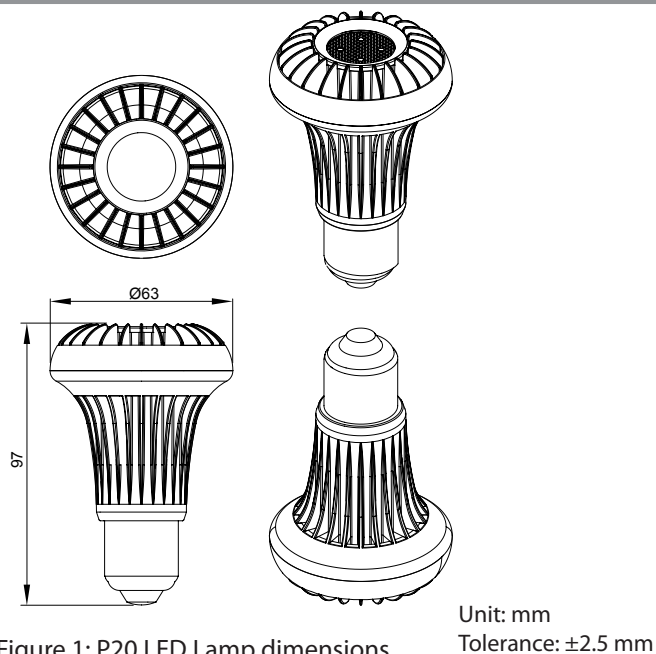


Figure 1: P20 LED Lamp dimensions

Absolute Maximum Rating

Specifications

Parameter	Rating	Units
LED Junction Temperature	125	°C
Aluminum Heat sink Temperature	70	°C
Operating Temperature	-20 ~ +40	°C
Storage Temperature	-40 ~ +60	°C
AC Input Voltage	100 ~ 240	V
Equilibrium Temperature	55	°C

Table 1: P20 LED Lamp absolute maximum rating

P30-LED Lamp	
Power Consumption	7 Watt
Field Angle	38° / 60°
Color Temperature	Warm White / Cool White
Weight	215g
CRI	70
Base	E26 / E27

Table 2: P20 LED Lamp specifications

Specifications

Illuminance and Field Angles

• Cool White / Warm White

Part Number	Power Consumption(W)	Field Angle	Lux*@ 1m (Min.)	Lux*@ 1m (Typ.)	CCT(Typ.)
LB-P20-xxxxxx	7W	38°	--	1100	5650~7000K
			--	--	2670~3050K
		60°	--	--	5650~7000K
			--	--	2670~3050K

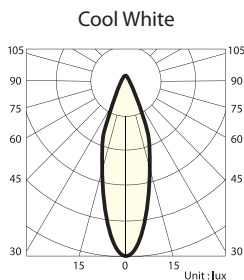
Table 3: P20 LED Lamp illuminance and field angles

Notes:

1. Lux value is measured under thermal balanced condition. (i.e. after 1 hour continuous operation)
2. LED is a dynamic and constantly evolving technology. The final lux output of your P20 LED Lamp may vary.
3. Input voltage = AC 100~240V

Light Patterns

• 38°



• 60°

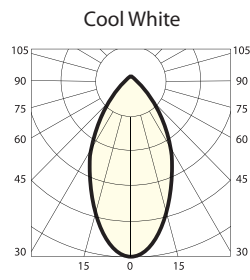


Figure 3: P20 LED Lamp light patterns for different angles

Lifetime

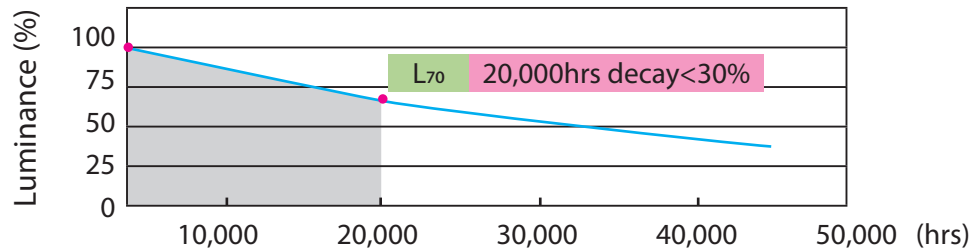


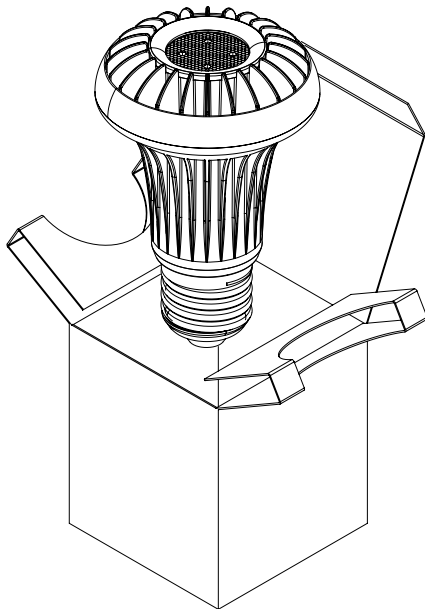
Table 4: P20 LED Lamp Lifetime

Application Notes

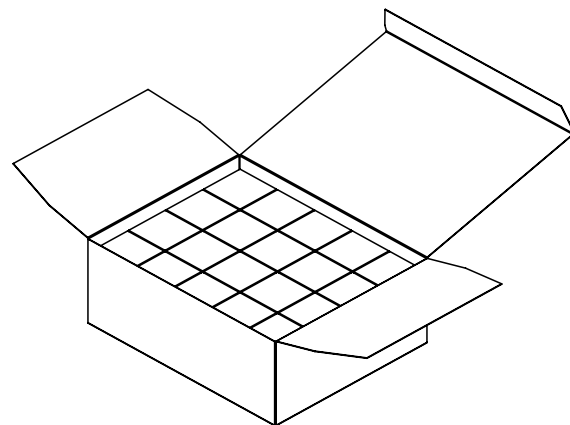
The compact and integral design of the P20 LED Lamp make it ideal for a wide variety of lighting applications, including retail store spotlight, ceiling downlight, as well as many other accent lightings. Various color temperature options are suitable for an array of scenarios. P20 provides white color / neutral white and warm white for customers' usages.

Package Information(Standard)

Note : Interior Box Dimensions : 135m(length)*125mm(width)*170mm(height)
 Exterior Box Dimensions : 350mm(length)*283mm(width)*143mm(height)



Interior Box (per each P20 LED Lamp)



Exterior Box (20 Pcs. of P20 LED Lamp)

Figure 4: P20 LED Lamp Package