

LED Lamp

3W GU10



GU10 uses high brightness LED engine which gives a superb illuminance.

It is ideal for the use in tracks, rails, and pendants in exhibit, architectural and residential applications. Furthermore, the multi-selection on various colors offers a great experience in decorative and mood lighting applications.

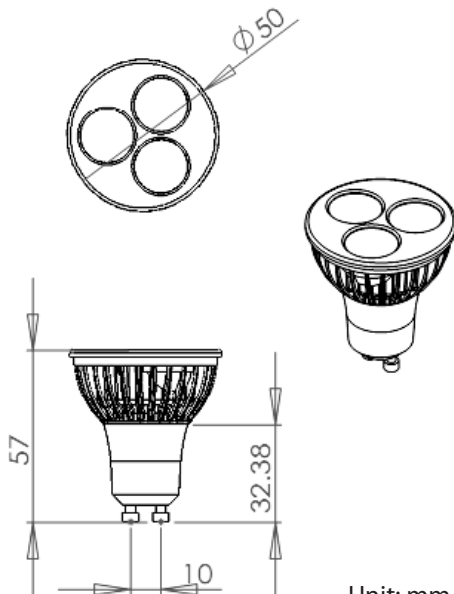
The lamp features standard GU10 bi-pin, which offers an instant replacement in MR16 type fixtures. With a life of more than 25,000 hours, it can be used in hard-to-reach locations to prevent a regular maintenance needs.

- Solid State Lighting Technology
- Reduce CO₂ Emission
- Superior Quality Light
- Energy Saving(3W)
- Ecologically Friendly

Table of Contents

• Dimensions.....	2
• Absolute Maximum Rating.....	2
• Specifications.....	3
• Illuminance.....	3
• Light Patterns.....	3
• Application Notes.....	4
• Package Information.....	4

Dimensions



Unit: mm
Tolerance: ±2.5 mm

Figure 1: 3W GU10 dimensions.

Absolute Maximum Rating

The following table shows electrical characteristics and operating temperature of 3W GU10.

Parameter	Symbol	Rating	Units
LED Junction Temperature	T_j	125	°C
Plastic Housing Temperature	T_c	65	°C
Operating Temperature	T_{opr}	-30 ~ +40	°C
Storage Temperature	T_{stg}	-40 ~ +60	°C
AC Input Voltage	V	110~240	V
Equilibrium Temperature	T_{eq}	55	°C

Table 1: 3W GU10 absolute maximum rating.

Specifications

The following describes the choices of color temperature, angles, and CRI of 3W GU10 for different demand.

Parameter	Rating	Units
Power Consumption	3	W
Filed Angle	38	Degree
Color Temperature	Cool White / Neutral White / Warm White	K
CRI	70 / 75 / 80	/
Weight	85±5	g

Table 2: 3W GU10 specifications.

Illuminance

The tables present the illuminance level with respect to different color temperature.

Power Consumption	Part Number	CCT(Typ.)	Color Temperature	Field Angle	Lux@ 1m (Min.)	Lux@ 1m (Typ.)
3W	LB-GU10-03310A	5650~7000K	Cool White	38°	990 lux	1100 lux
	LB-GU10-03320A	3800~4500K	Neutral White		670 lux	750 lux
	LB-GU10-03330A	2670~3050K	Warm White		670 lux	750 lux

Table 3: 3W GU10 Illuminance for different colors.

Light Patterns

The diagrams present the light patterns with respect to different color temperature and field angle.

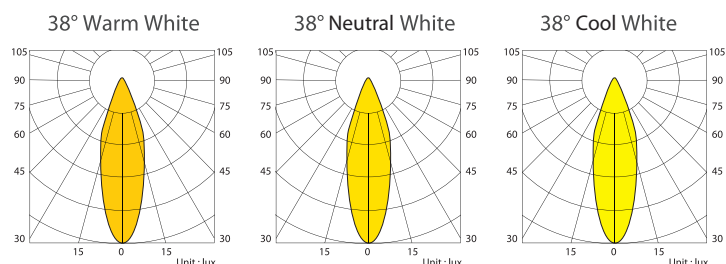


Figure 2: 3W GU10 light patterns.

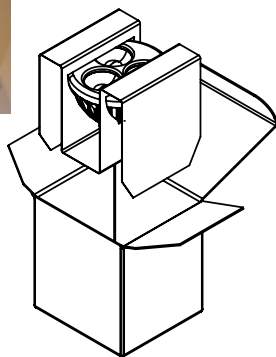
Application Notes

Ledion 3W GU10 is compatible for traditional GU10 and more effective. Meanwhile it can be easily installed in lighting fixture.

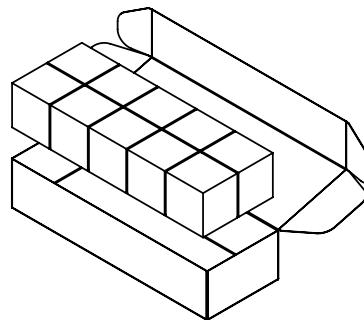


Figure 3: 3W GU10 application picture.

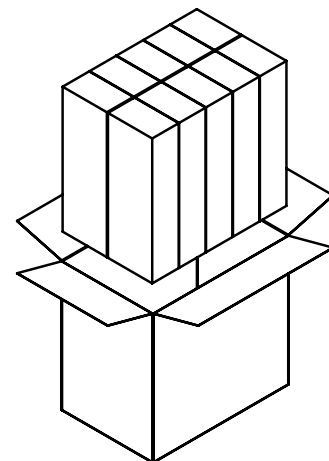
Package Information



1pc / Pack



10 pcs / Box



100 pcs / Carton

Notes:

Pack Dimensions : 60m(length)*55mm(width)*65mm(height)

Box Dimensions : 330mm(length)*120mm(width)*70mm(height)

Carton Dimensions : 368mm(length)*248mm(width)*350mm(height)

Figure 4: 3W GU10 Package.